

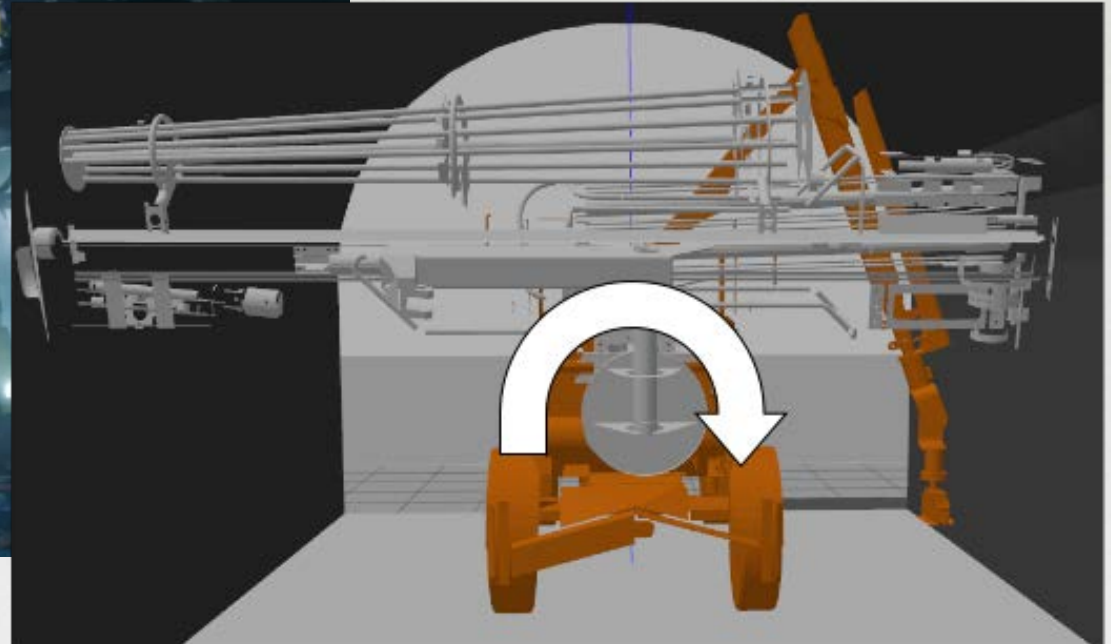
Re-LOAD: Robot-aided Long-term Autonomous Drilling



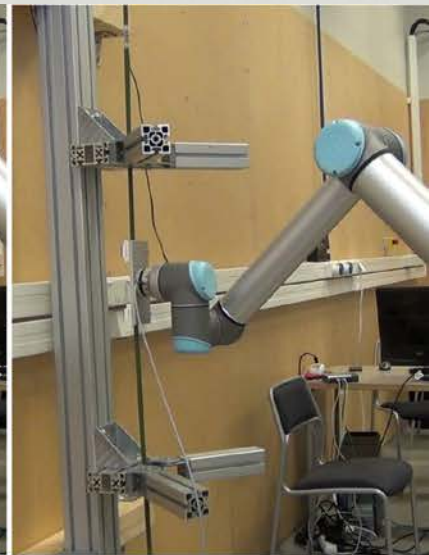
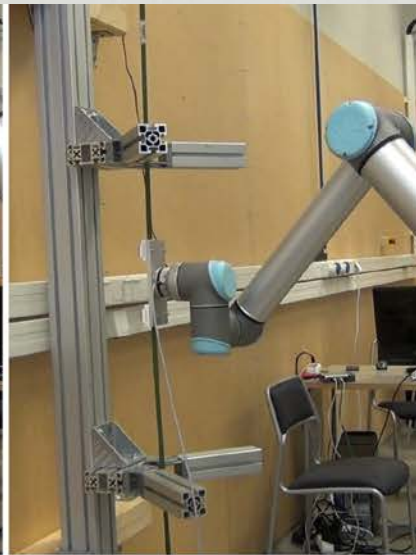
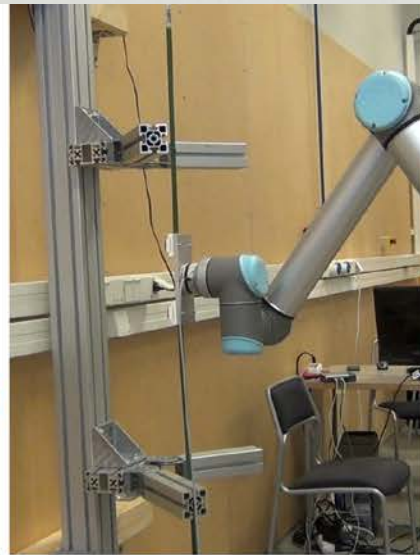
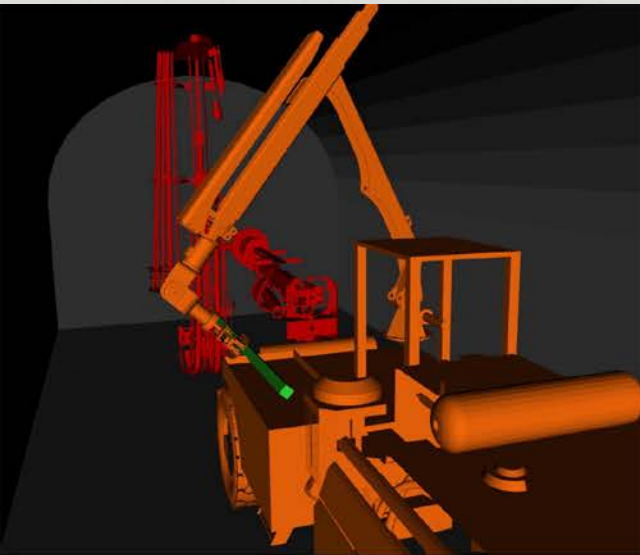
Aim: To investigate the use of automation technology in supplying underground drilling rigs with new bolts



Re-LOAD: aim



Re-LOAD: results



STRATEGISKA
INNOVATIONS-
PROGRAM

SIP | STRIM